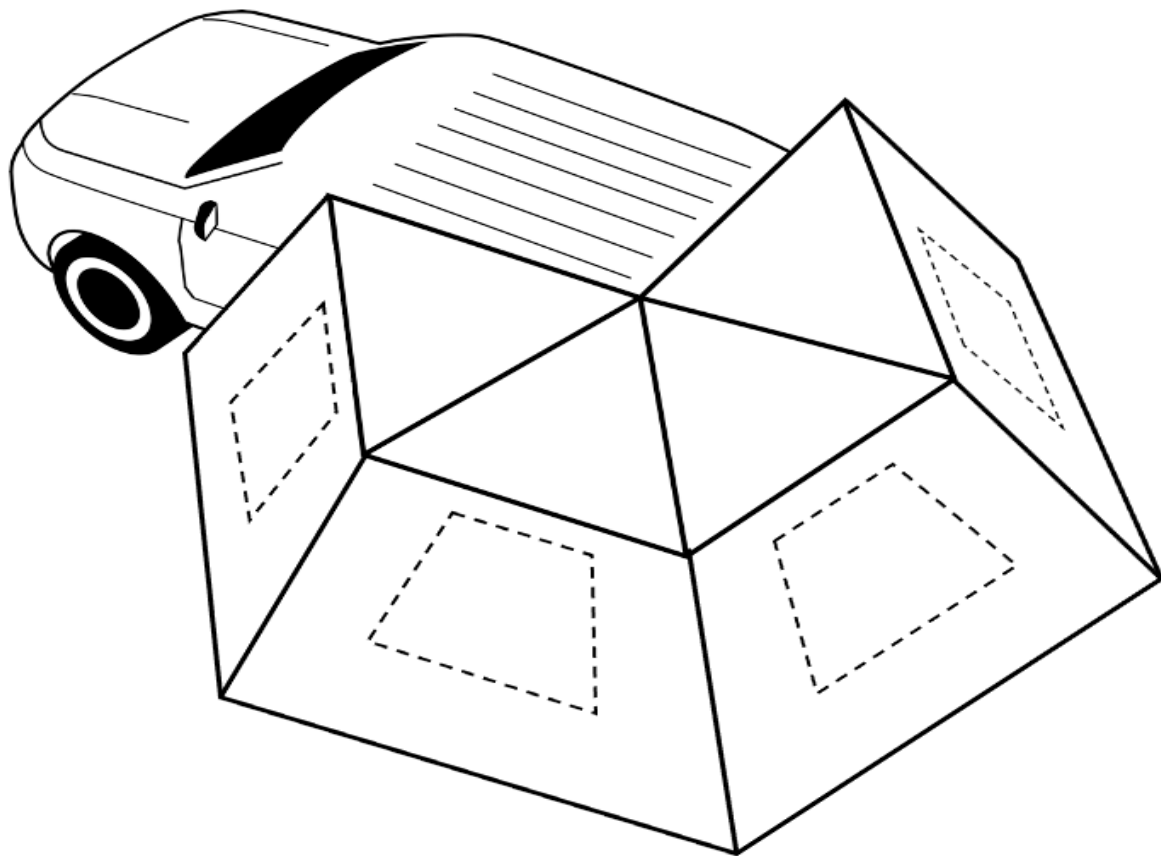




# OSPREY 270

## USER MANUAL



## Thank you for purchasing a 23ZERO Osprey 270 awning

Thank you for purchasing a 23Zero Osprey 270 awning. Please read these instructions carefully before installing the awning to your vehicle. Check all parts are included prior to first use.

### OSPREY 270 CONTENTS

- |                                   |                                   |
|-----------------------------------|-----------------------------------|
| 1 x Osprey 270 awning             | 4 x 25mm M8 mounting bolts & nuts |
| 2 x Mounting brackets             | Pegs & guy ropes in bag           |
| 4 x 'U' Bolts with nuts & washers | 1 x Cam buckle tension strap      |

### MOUNTING BRACKETS TO ROOF RACK

Osprey 270 mounting brackets are suited to many roof rack designs, however, with the increasing number of new designs / models available from reputable brands, some additional hardware may need to be obtained for correct secure fitment.

**Note:** We highly recommend discussing specific load capacities and mounting options with a specific roof rack retailer or installer.

23ZERO recommends using a qualified or experienced fitter to mount the Osprey 270 to your vehicle. Fasteners and all fixing connections including hinges bolts should be checked and inspected regularly to ensure the awning is fixed securely to your vehicle roof rack at all times.



Prolonged traveling on uneven tracks and/or corrugated roads will require more frequent inspections. 23ZERO takes no responsibility or liability for fitment of the Osprey 270 awning to your specific vehicle or trailer

## CONTENTS

Attaching awning to brackets	-----	2
Set Up	-----	3, 4 ,5
Pack down	-----	6
Optional Wall kits	-----	7
Care and Safety	-----	8
Warranty	-----	9

## Attaching brackets to awning

1

1. Place the awning on a protected clean surface with rear facing up.
2. At each end of the awning measure and mark the PVC in line with the two channel grooves at approx 500mm back from end of awning (ideally no more than 600mm) See Fig. 1 & 2

Fig. 1



Fig. 2



Fig. 3



3. Using a sharp blade, score a 5mm cross at the centre of the channel groove at your measurement marking. See Fig.3

**Note:** The position of the channel grooves can be felt by pressing down and running your finger along the PVC.

2

4. Totally un-zip awning cover.
5. Start at one end carefully pull back each side of the PVC so channel grooves are exposed. See Fig.4

Fig. 4



Fig. 5



Fig. 6



Fig. 7



6. Insert two 25mm M8 bolts in each channel groove and slide across in line with your marked score in the PVC. See Fig. 5
7. Place scored PVC directly above the bolt and push down firmly until the bolt pierces PVC and is exposed. See Fig. 6
8. Align bracket holes with bolts and fasten using M8 nut and washer. See Fig. 7
9. Repeat for all three bracket

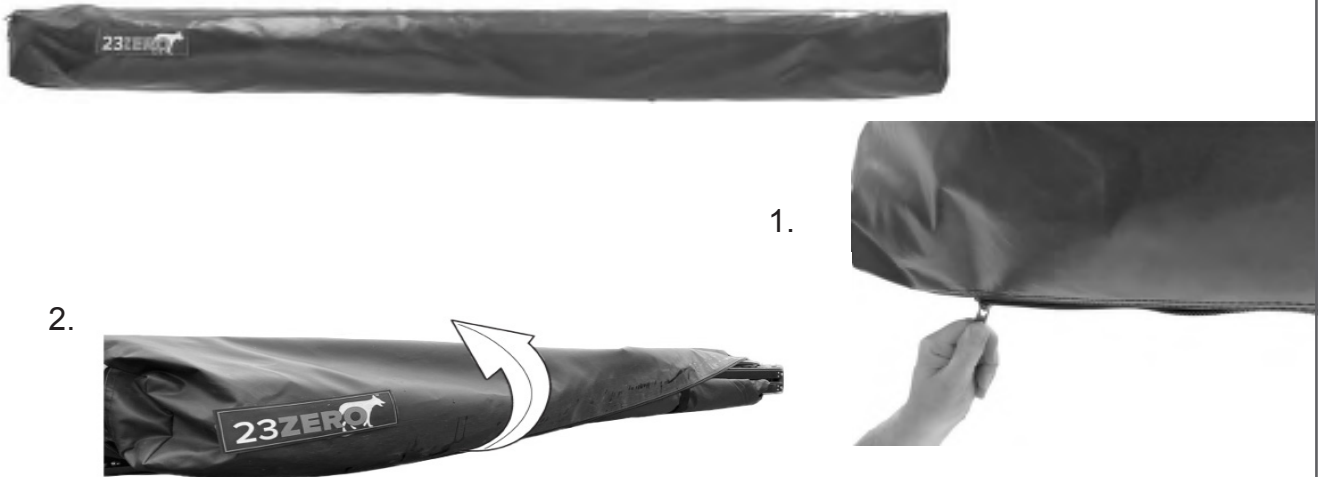
## Set up

**Note:** The Osprey 270 will free stand for set-up and pack down

3

### REMOVE COVER

Unzip cover (1.) and fold over awning body (2.)



4

### DEPLOY AWNING

Release the 3 retaining straps (1.) and allow canvas to drape (2.)



## Set up

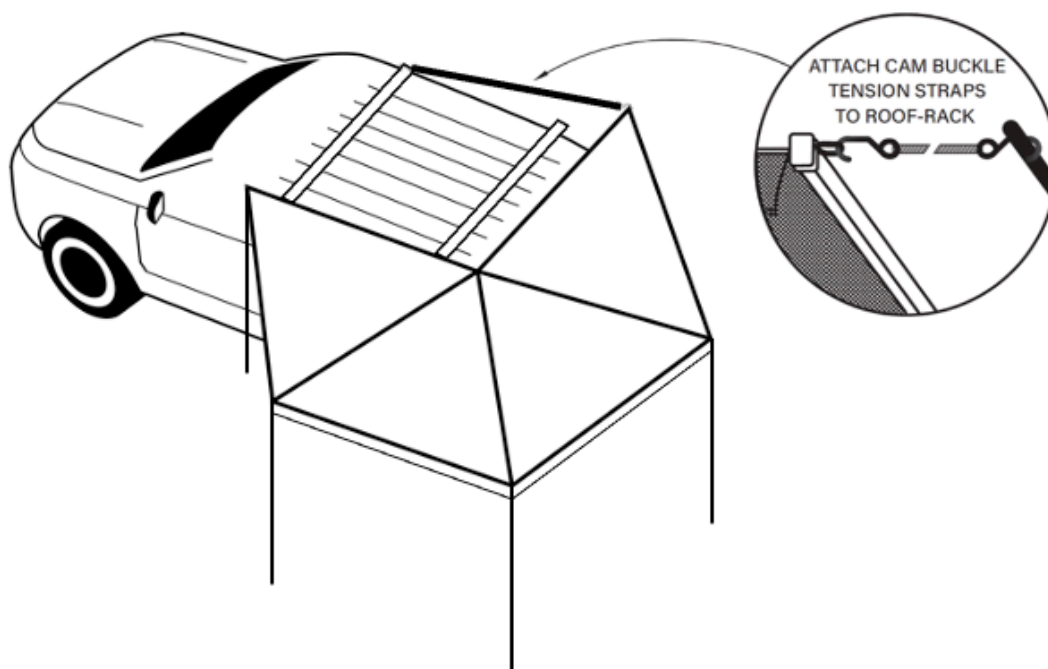
5

Fully swing out outer arm toward rear of vehicle (1.) Attach cam buckle strap to roof rack and then to awning (2.) Tension strap to keep awning taut.

1.



2.



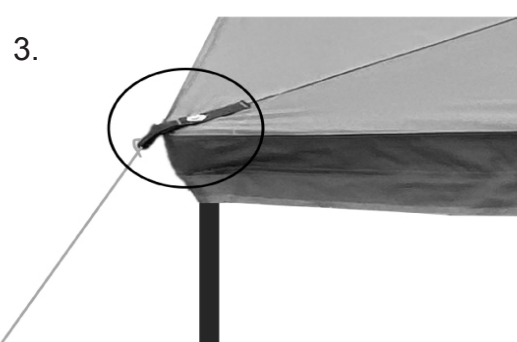
## Set up

6

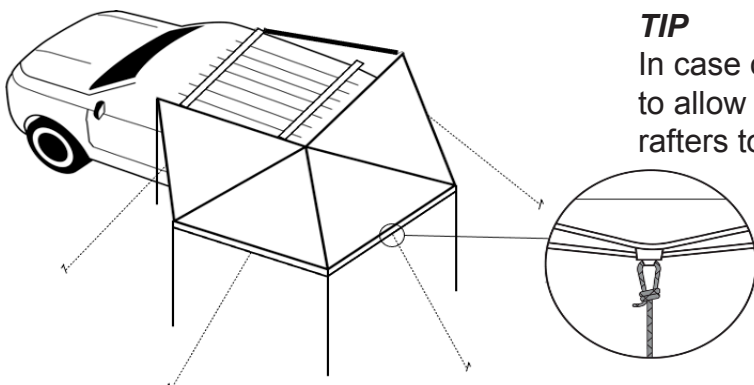
### POLE SET UP

1. Undo Hook and Loop tabs supporting integrated leg poles.
2. Adjust leg pole height accordingly with twist lock function.  
Repeat for all leg poles.
3. Attach guy ropes to webbing loops above all leg poles and anchor securely.

**IMPORTANT:** Hook and loop tabs must be attached around rafters at first use.  
Ensure these are always re-attached once leg poles have been deployed and awning is in use.



Guy ropes must be attached and anchored at all times



### TIP

In case of rain lower the support leg poles to allow downward slope. Guy off between rafters to form valleys for water run-off.

## Pack Down

7

1. Remove pegs and guy ropes. Fold away legs and secure with hook and loop tabs.
2. Release cam buckle strap and unhook from awning and roof rack.
3. Swing rear of awning around against awning body (side of car)
4. Adjust hanging canvas so it drapes in a triangular shape.
5. Tightly roll canvas and secure with attached straps.
6. Fold over PVC transit cover and zip up.

3a.



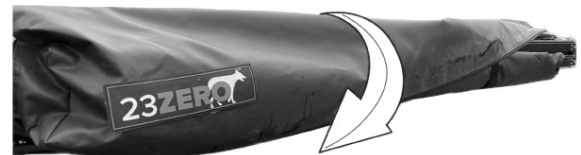
3b.



4.



5a.



5b.

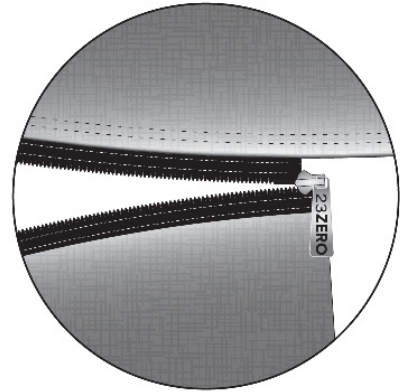


## Optional wall kits

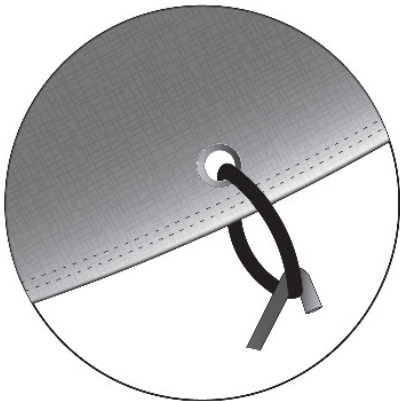
8

The Osprey wall panels are all the same size and will attach to any side of the awning. A total of 4 wall panels will fully enclose the awning (areas against vehicle excepted). Walls are attached to the awning via zip and walls are attached together via hook and loop closure.

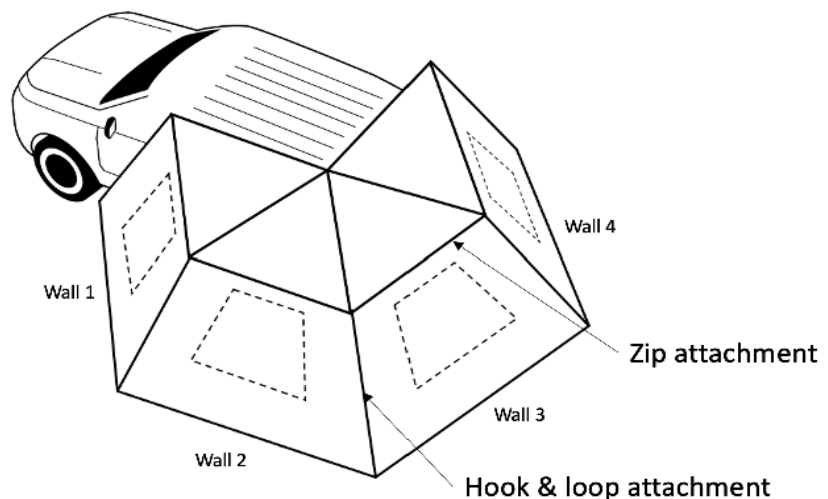
**NOTE - JOINING ZIPS:** Ensure the zip insert pin is fully engaged / seated into the zip retaining box. Commence zipping whilst holding up the wall at awning level with your opposite hand.



It is imperative to hold the wall up at awning level whilst zipping to relieve pressure on zip track. Failure to do this will result in zip damage and will not be covered under warranty.



Anchor walls to ground with pegs through shock cord loops.





## Care and Safety

### CLEANING

Clean with luke warm water and soft bristle brush.  
Do not use soaps and or detergents.  
Do not expose to petro chemicals.

### STORAGE

Certain situations may require the OSPREY 270° to be packed down wet. It is essential that at the earliest opportunity the Osprey awning is unpacked and allowed to dry fully. Though we use the best polyurethane proofing available, prolonged exposure to moisture causes hydrolysis which can affect the integrity of the proofing. Storing awning wet in warm conditions is likely to cause mildew growth which will stain canvas and lead to premature breakdown.

### STRUCTURAL

The FALCON 270° has been designed for general use under normal conditions.

Always ensure legs, guy ropes and pegs are attached and the awning is firmly anchored at all times regardless how good conditions may be.

### WATERPROOFNESS

23 ZERO use a selection of refined raw materials and treatments in its design and development processes including long lasting polyurethane coatings and high frequency seam sealing. With multiple layer seams and addition of zips, wind driven rain may cause small amounts of water ingress at times. Rubbing a softened candle wax stick over the affected area will help reduce any water ingress.



**TO AVOID PERSONAL INJURY AND OR PROPERTY DAMAGE, 23ZERO RECOMMENDS THE OSPREY 270° SHOULD NOT BE ERECTED DURING WINDY AND OR ADVERSE WEATHER. DAMAGE CAUSED BY WEATHER OR IMPROPER USE IS NOT COVERED UNDER WARRANTY.**



## SAFETY WARNINGS

KEEP ALL FLAME AND HEAT SOURCES AWAY FROM AWNING FABRIC.

UNDER NO CIRCUMSTANCES SHOULD ANY NAKED FLAME SOURCES BE USED NEAR THE AWNING.

KEEP CAMP FIRES AT LEAST 20 METERS AWAY FROM AWNING.

WATCH FOR AIRBORNE BURNING EMBERS THAT MAY COME IN CONTACT WITH THE AWNING

KEEP A FIRE EXTINGUISHER OR WATER BUCKET NEARBY.

KEEP EXITS CLEAR

VEHICLE EXHAUST FUMES CAN BE DEADLY - DO NOT RUN VEHICLE ENGINE WHILST WALLS ARE ATTACHED TO THE AWNING.

WATCH FOR GUY ROPES AND PEGS AS THEY CAN BE A TRIP HAZARD

ENSURE CHILDREN ARE SUPERVISED AROUND THE AWNING AT ALL TIMES.

## 2 Year Warranty

23ZERO will replace or repair any product at its discretion that is subject to faulty manufacturing or workmanship including materials.

### **Exclusions**

The above warranty is limited to manufacturing and materials defects. Not including damage caused by misuse or abuse, wear and tear, condensation, extreme weather, accidents, incorrect set up, damage caused by mould, insects, animals or children. This also excludes broken poles and damage caused by a jammed, snagged zipper or excessive force applied to zipper causing failure.

### **Consumer rights**

Our goods come with guarantees that cannot be excluded under Australian law. You are entitled to a replacement or refund for a major failure and for compensation for any other reasonably foreseeable loss or damage. You are also entitled to have goods repaired or replaced if the goods fail to be of acceptable quality and failure does not amount to a major failure.

\* Due to our policy of continual product development, the specifications, colours and features may vary.

### **Making a claim**

To make a claim in relation to the above manufacturers warranty please ensure you retain your sales receipt of purchase. Please email us at [service@23zero.com.au](mailto:service@23zero.com.au) stating the nature of your claim and we will be in touch with you shortly. If you require additional assistance, please phone 03 9547 4691 to discuss and arrange your claim. Product subject to warranty will be sent to 23ZERO Australia, 32b Eileen Rd. Clayton South, Victoria 3169. All freight costs associated with return of product for assessment is payable by consumer.

