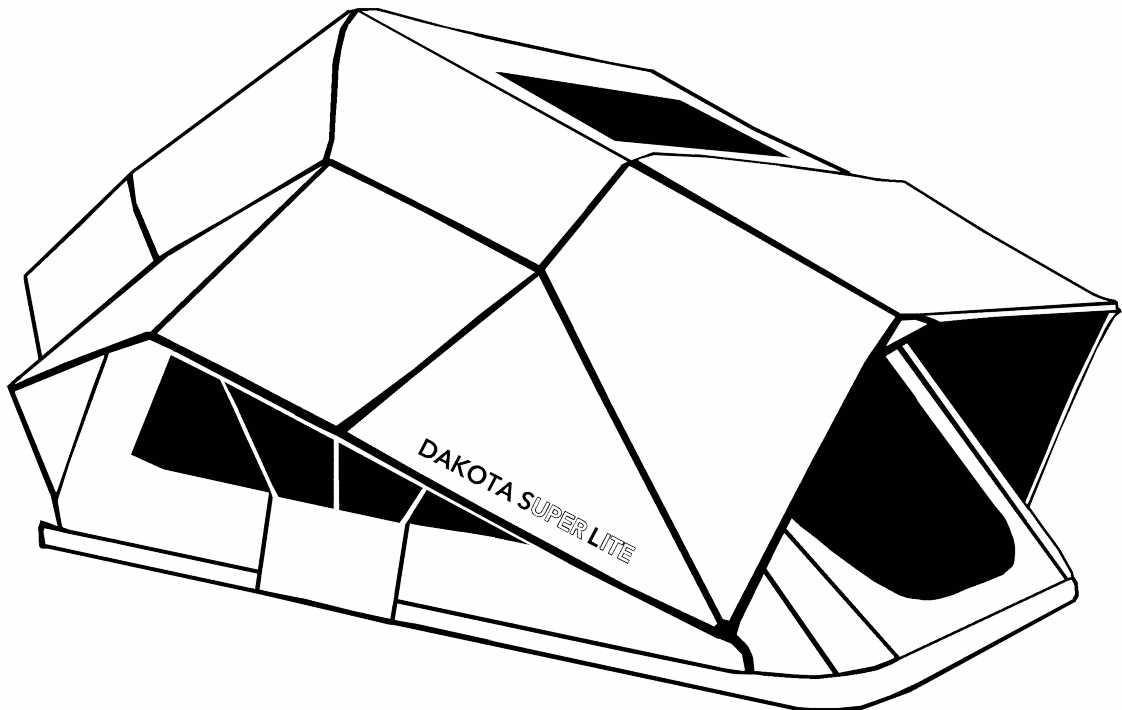




DAKOTA SUPER LITE

QUICK GUIDE USER MANUAL





Thank you for purchasing a 23 ZERO Roof Top Tent

Congratulations on the purchase of 23ZERO's Roof Top Tent. We strive to provide you with the ultimate camping experience. Your Roof Top Tent mounts directly to a roof rack, tub rack or aftermarket roof bars. It opens and is fully setup in seconds. As well as our innovative LST fabric, your Roof Top Tent is made with durable materials and high-quality fabrics that provide excellent water and wind protection.

Tent setup is composed of unpacking, sliding and zipping the tent cover and then mounting your tent onto the roof rack or roof bars.

Note: During set up and first use, some aluminium swarf may be present inside the roof top tent. We make every possible attempt to expel all aluminium swarf, however, with vibrations caused by logistics some residual may dislodge and reappear. It is advised to remove and clean these during first set up.

PLEASE READ ALL INSTRUCTIONS PRIOR TO INSTALLING

CONTENTS

Safety & Warnings	2
Hardware & Accessories	3
Tent orientation	4
Ladder attachment instructions	5
Fitting to roof rack	6
Deploying Tent	7
Ladder Adjustment	8
Fitting Transit Cover	9
Closing and storage	10
Warranty	11

Safety & Warnings

Improper installation or use of your Roof Top Tent may result in serious injury or death. You will need to follow these installation instructions carefully to ensure proper installation on your vehicle and safe use of your roof top tent. Please contact your vehicle manufacturer for specified loading capacity of your roof rack. Not all factory roof racks or aftermarket roof bars can safely accommodate tent models.

Note: Alterations and/or inclusions such as roof racks and roof top tents applied to the vehicle roof may affect vehicle handling and characteristics.

The manufacturer (23ZERO) disclaims all responsibility in case of accidents due to improper use, improper maintenance or checking the tightness of the brackets regarding the installation of the roof rack system.

Inspections: Roof top tents have many moving parts so maintenance checks are always advised. During trips regularly check that all nuts and bolts attaching the roof top tent to your vehicle as well as hinge and lug bolts are tight and in good repair.

For your safety and protection, ensure correct placement and angle of ladder. Recommended ladder placement is a 4:1 ratio or approx. 75°.

Ladder height may need to be adjusted depending on vehicle height, see *"Ladder Adjustment"*

DO NOT CLIMB ON LADDER UNTIL CORRECT ANGLE IS ACHIEVED

23Zero - The wholesaler / manufacturer shall not be liable for special, indirect incidental or consequential damages.



SAFETY WARNING



KEEP ALL FLAME AND HEAT SOURCES AWAY FROM THE TENT MATERIALS.

**UNDER NO CIRCUMSTANCE SHOULD ANY NAKED FLAME SOURCES OR HEATING DEVICES
BE USED INSIDE OR NEAR THE TENT.**

KEEP CAMP FIRES WELL AWAY FROM TENT.

**KEEP A LOOK OUT FOR ANY AIRBORNE BURNING EMBERS THAT MAY COME INTO
CONTACT WITH THE TENT.**

KEEP A FIRE EXTINGUISHER OR WATER BUCKET NEARBY.

DO NOT SMOKE WITHIN THE TENT.

DO NOT OPERATE ANY DEVICE WHICH BURNS FUEL INSIDE OF THE TENT.

KEEP EXIT CLEAR.

Hardware & Accessories



Generic Picture of Kit Bag for reference (fitting kits may differ depending on model)

All roof top tents include a mounting kit with a convenient carry bag. Everything required to mount your roof top tent to most roof racks is included in this kit.

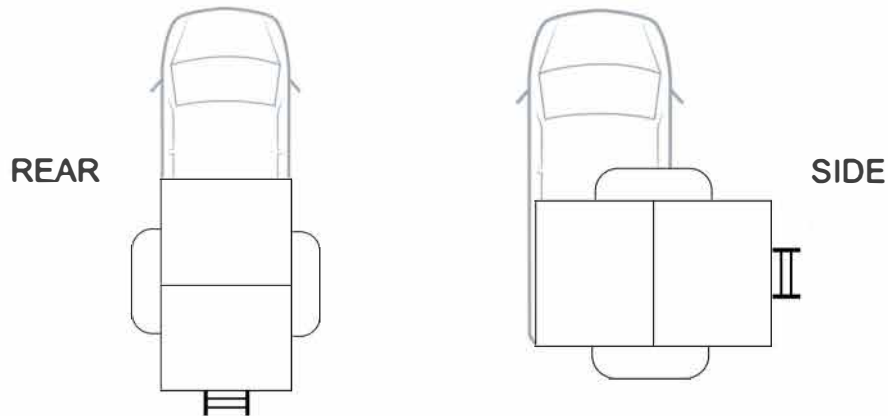
Note: Some platform style roof racks have platforms which are wider than the supplied mounting plate. 23ZERO have wider mounting plates available for this scenario. Please visit www.23zero.com.au.

Tent Orientation

There are two mounting options for the orientation of Roof Top Tents.

Rear Mounted – The ladder extends from the back of the vehicle.

Side Mounted – The ladder extends from the side of the vehicle.



These orientations depend on the size of the roof top tent. The Dakota Super Lite can be mounted in either orientation.

The configuration of the bars on your roof rack will determine the fitment of the mounting channels to your roof top tent.

Whether adopting a rear mount or side mount orientation, ensure the mounting channels run in the opposite direction to the bars of your roof rack.

Ladder Attachment Instructions

The Dakota Super Lite comes equipped with a rapid release ladder attachment system. This efficient mechanism facilitates swift and convenient attachment or removal of the ladder as needed. For those concerned about overall tent weight, the quick release option enables the ladder to be easily detached and stored within the vehicle or another suitable location. Installation of the Quick Release Mechanism:

Positioning the Base Board

Place the base board with the two pairs of pre-drilled ladder bracket holes facing upwards.

Securing Bolts

Insert the 40 mm M6 bolts with washers through the holes from the underside of the base board (refer to figure 1).

Attaching Ladder Brackets

With all four bolts facing upwards, position the ladder bracket holes over the exposed bolt threads. Place the ladder pin leash eye over the outer bolt on each side. Secure the brackets using washers and Nylock nuts, ensuring a tight fit. (figure 2)

Ladder Eye Placement

Position the ladder eyes between both ladder brackets.

Locking Pin Engagement

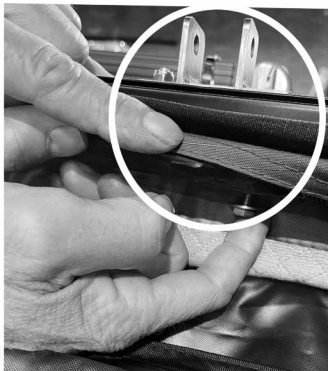
Depress the locking pin and pass it through both the bracket and ladder eyes until it engages on the opposite end. An audible click should confirm the correct placement. (figure 3)

Securing the Locking Pin

The ladder pin cannot be removed without depressing the button.

Note

If the ladder pin can be removed without depressing the button, it has not engaged correctly. Repeat the process until the pin is properly engaged and cannot be removed without depressing the button.



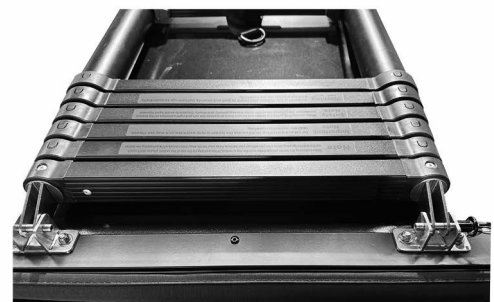
(Figure 1)



(Figure 2)



(Figure 3)



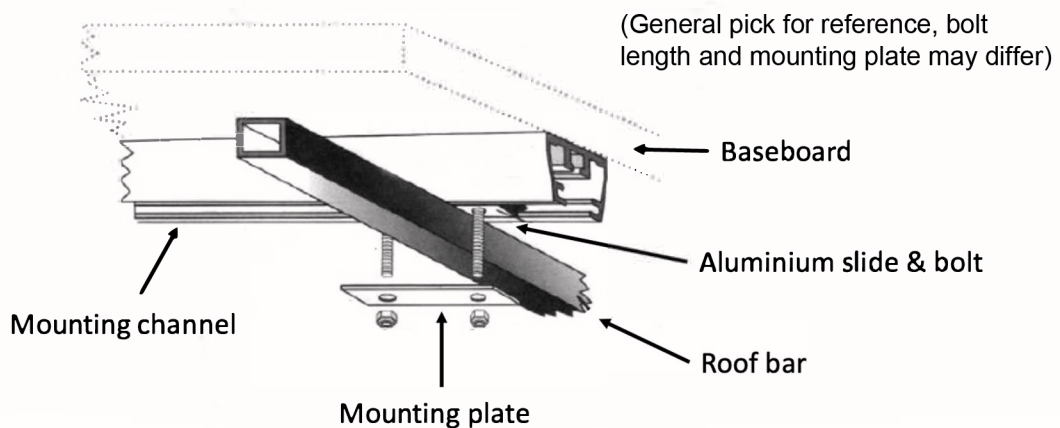
Fitting to roof rack

Before fitting the roof top tent to your roof rack, ensure all the side tie down straps are secured. You may even choose to fit the transit cover before installation, see *"Fitting transit cover"*. To secure the roof top tent to the roof rack, it must be clamped on 4 corners using the aluminium slides and mounting plates supplied. To do this, place the roof top tent on top of the vehicle's roof rack (minimum 2-person lift).

Insert the 55mm M8 bolts into the slide plates and slide the plates and bolts into the mounting channels. You will need to tilt the roof top tent to allow the inner bolts to cross over onto the inside of the roof bars.

Inspect the position of the roof top tent to ensure it will open to the desired side. Place mounting plate under roof bar whilst locating the bolts. Insert washer and hand tighten Nyloc nut. Repeat for all 4 corners. Double check the tents position as desired and tighten all nuts securely with 13mm spanner. Insert rubber end caps into the ends of the mounting channels, this may require light taps from a hammer.

Inspections: Roof top tents have many moving parts so maintenance checks are always advised. During trips regularly check that all nuts and bolts attaching the roof top tent to your vehicle as well as hinge and lug bolts are tight and in good repair.



Deploying the Roof top tent

To initiate the opening of the roof top tent, begin by removing the transit cover in accordance with the guidelines outlined on page 5. If removed re attach the ladder by ensuring that the locking pins are properly in place (refer to the ladder attachment instructions on page 5). Proceed to extend the ladder completely by pulling on the bottom rung until all rungs are securely locked into position. Employing the ladder as a lever, pull downward to initiate the unfolding of the tent.

As the tent commences its opening sequence and the ladder takes on the responsibility of supporting the tent's weight, gradually step backward until the baseboard lies flat and is properly engaged and aligned with the fixed baseboard. It is crucial to consistently provide support to the rooftop tent's weight through the ladder until the unfolding process is complete. Allowing the tent to unfold without this support can exert unnecessary pressure on hinges, the baseboard and the canvas, potentially causing damage to the rooftop tent.

At this point, adjust the height of the ladder and secure it at the correct angle under the baseboard (refer to 'Ladder adjustment')

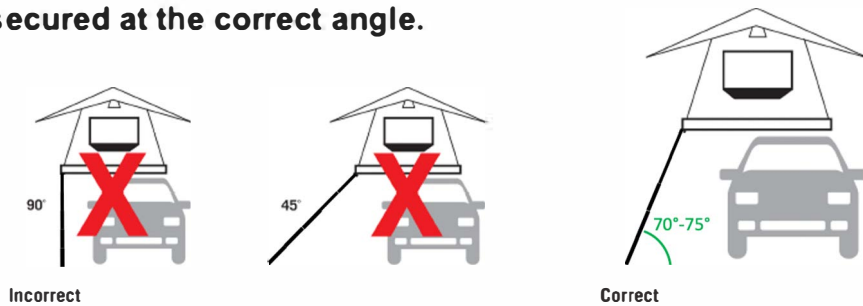
NOTE: Under no circumstances should anyone climb or be inside the roof top tent if the ladder is not locked and secured at the correct angle.

Ladder adjustment

For your safety and protection, ensure correct placement and angle of ladder. See diagrams below. Recommended ladder placement is a 4:1 ratio or approx. 70° to 75°.

The ladder placed in correct position also acts as a brace for the suspended base of your tent.

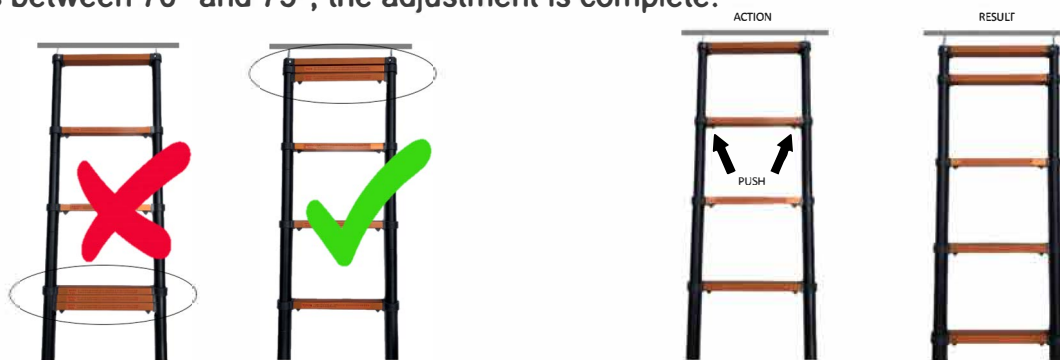
NOTE: Under no circumstances should anyone be inside the roof top tent if the ladder is not locked and secured at the correct angle.



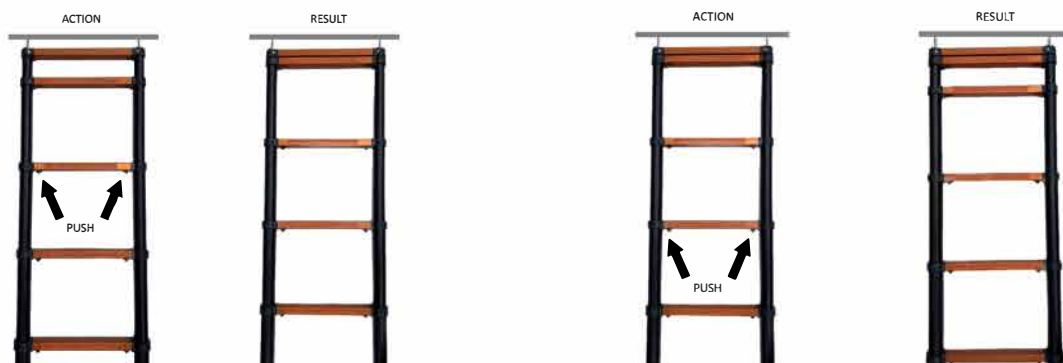
The ladder may need to be adjusted to achieve the correct angle depending on the height of your setup. If shortening is required, the adjustment must be done from the top.

Ensure the ladder is fully extended and all rungs are locked in place. Press the first set of locking buttons (second rung from the top) and allow the ladder to compress until a gap of approx. 85mm is achieved between rung 1 & 2. **Note:** The ladder will only lock in the downward position.

Swing in the bottom of the ladder until it supports the weight of the roof top tent. If the angle of the ladder is between 70° and 75°, the adjustment is complete.



If further shortening is required press the second set of locking buttons (third rung from the top). This will close the 85mm gap until rung 1 & 2 are now touching. Swing in the bottom of the ladder until it supports the weight of the roof top tent. If the angle of the ladder is between 70° and 75°, this adjustment is complete.



NOTE: When height adjusted, the ladder will only lock in the downward position.

If further adjustment is required, repeat the above steps by continuing the sequence by depressing the next set of locking buttons.

Fitting transit cover

Transit covers are a crucial accessory for any roof top tent as they keep your roof top tent clean and dry whilst traveling to your destination. Correct fitment is vital to ensuring it performs as intended and prolongs it's lifespan.

The 23ZERO transit cover has 4 edges, three of which have a continuous zip and one which has a Kedar sail rope.

Once the tent is packed up, billowing canvas tucked in, side retaining straps fastened and ladder straps secured, slide the sail rope edge of the transit cover into the sail track on the hinge side of the roof top tent. Once centred, lift the cover over the roof top tent and guide the opposite corners carefully by pulling down on them gently over the tent corners. Some further adjustment may be required to centre the transit cover.

Locate the zip puller which is on the baseboard skirt and slide it to the start of the zip. Insert the end of the zip on the cover through the zip slide until the pin is seated into the zip box. Begin to slide the zip.

Zip the cover completely and fold around the Velcro tabs covering the exposed corners. Position the transit cover straps over the cover avoiding any twists and fastened them through the D rings to reduce the transit cover ballooning when traveling.

To remove the cover, follow the above sequence in reverse.

Caution: Damage to the zip may occur if the zip is forced when not seated correctly.

Caution: Pulling on the zip on a downward angle and sliding (diagonally) will damage the zip teeth. Always slide the zip vertically.

Closing & Storage

Soft top rooftop tents, such as the Dakota Super Lite, provide limited storage space for items like sleeping bags or blankets when laid out flat. Storing thicker objects like pillows inside the rooftop tent is not advisable, as they can exert excessive pressure on the baseboard and hinges, potentially leading to failures and damage. Please be aware that damage of this kind is easily identifiable and is not covered by the warranty.

To close the tent, extend the ladder until it is fully locked in the open position. Use the ladder as a lever to carefully fold the tent closed. Ensure all excess canvas is tucked in, and secure the tent by fastening the side D-ring straps. Close and secure the ladder using the retaining straps. Follow the instructions in "Fitting Transit Cover" to properly fit the transit cover.

Caution: When closing the tent, avoid pulling down on Velcro straps, as excessive force can cause damage to your tent.

It is recommended to avoid storing your tent when wet. If circumstances require storing it while wet, open and dry it out as soon as possible to prevent moisture damage.

Closing & Storage

Soft top rooftop tents, such as the Dakota Super Lite, provide limited storage space for items like sleeping bags or blankets when laid out flat. Storing thicker objects like pillows inside the rooftop tent is not advisable, as they can exert excessive pressure on the baseboard and hinges, potentially leading to failures and damage. Please be aware that damage of this kind is easily identifiable and is not covered by the warranty.

To close the tent, extend the ladder until it is fully locked in the open position. Use the ladder as a lever to carefully fold the tent closed. Ensure all excess canvas is tucked in, and secure the tent by fastening the side D-ring straps. Close and secure the ladder using the retaining straps. Follow the instructions in "Fitting Transit Cover" to properly fit the transit cover.

Caution: When closing the tent, avoid pulling down on Velcro straps, as excessive force can cause damage to your tent.

STRONGLY RECCOMEND TO REMOVE LADDER AFTER EACH USE AND NOT LEAVE ON WHEN PLACING TRANSIT COVER ON THE TENT.

It is recommended to avoid storing your tent when wet. If circumstances require storing it while wet, open and dry it out as soon as possible to prevent moisture damage.

2 Year Warranty

23ZERO will replace or repair any product at its discretion that is subject to faulty manufacturing or workmanship including materials.

Exclusions

The above warranty is limited to manufacturing and materials defects. Not including damage caused by misuse or abuse, wear and tear, condensation, extreme weather, accidents, incorrect set up, damage caused by mould, insects, animals or children. This also excludes broken poles and damage caused by a jammed, snagged zipper or excessive force applied to zipper causing failure.

Consumer rights

Our goods come with guarantees that cannot be excluded under Australian law. You are entitled to a replacement or refund for a major failure and for compensation for any other reasonably foreseeable loss or damage. You are also entitled to have goods repaired or replaced if the goods fail to be of acceptable quality and failure does not amount to a major failure.

* Due to our policy of continual product development, the specifications, colours and features may vary.

Making a claim

To make a claim in relation to the above manufacturers warranty please ensure you retain your sales receipt of purchase. Please contact us stating the nature of your claim and we will be in touch with you shortly. If you require additional assistance, please phone 03 9547 4691 to discuss and arrange your claim. Product subject to warranty will be sent to 23ZERO Australia, 32b Eileen St Clayton South, Victoria 3169. All freight costs associated with return of product for assessment is payable by consumer.



23ZERO AUSTRALIA
www.23zero.com.au
32B Eileen Rd Clayton South, VIC 3169
sales@23zero.com.au